

NEW
BASIC RANGE



MX 20Cu

MX 25Cu

COMPACT LOADERS

AMENITY

Cost effective
performance !

MX 

Economical, multipurpose loader range for compact tractors

dedicated to day-to-day amenity works

Specifically designed for amenity, landscape and residential users looking for a basic yet reliable loader; the MX COMPACT 20Cu and 25Cu offer the performance to meet your general purpose handling requirements.

20Cu^{25Cu}

25Cu^{20Cu}
25Cu
20Cu



Multipurpose use

Implements removed without tools

Options

Shock Eliminator System®

Reduces shocks and bounce caused when driving the tractor. The result is more comfort for the operator.



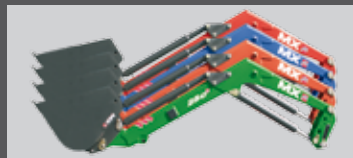
2 functions Monolever

A professional control system. One single lever operates all the functions of the loader.



Loader specific colour

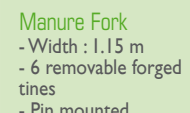
MX loaders are available in different colours to compliment the tractor.



Implements



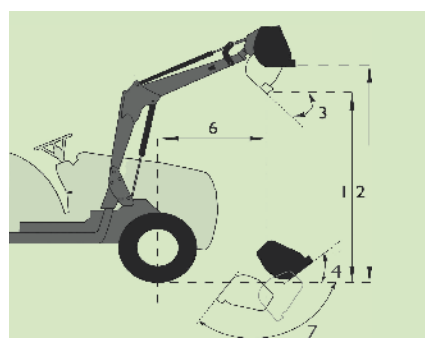
Loose Material Bucket
- Width : 1.20 m
- Capacity : 210 L
- Pin mounted



Manure Fork
- Width : 1.15 m
- 6 removable forged tines
- Pin mounted

SPECIFICATIONS

	MX 20Cu	MX 25Cu
Tractor performance	18 to 30 HP	20 to 50 HP
Maximum height at implement pivot	2,15 m	2,45 m
Maximum height under horizontal bucket (2)	1,95 m	2,25 m
Maximum height under dumped bucket (1) #	1,60 m	1,90 m
Digging depth #	0,15 m	0,15 m
Dumping angle at full height (3) #	35°	35°
Dumping angle at ground level (7) #	90°	115°
Crowd angle(4) #	25°	25°
Forward reach available for discharge (6) #	850-950 mm	950-1050 mm
Life force at implement pivot	660 kg	730 kg
Life capacity at implement pivot over entire lifting range	570 kg	630 kg
Payload* :		
> at ground level	470 kg	510 kg
> at 1 m from ground	435 kg	480 kg
> at 2 m from ground	395 kg	425 kg
> at full height	375 kg	410 kg
Lifting time	4,5 s	4,5 s
Dumping time	2,2 s	2,5 s
Weight (without equipment)	130 kg	140 kg



www.m-x.eu

19, rue de Rennes - BP 83221
F-35690 Acigné
Tél : +33 (0)2 99 62 52 60
Fax : +33 (0)2 99 62 50 22
email : contact@m-x.eu
©Mailleux company copyright



* Payload at 70 cm from implement pivot
Values given with loose material bucket

04/10 - MX se réserve le droit de modifier sans préavis les caractéristiques, équipements, et prix des modèles présentés. Cette documentation ne constitue en aucun cas un document contractuel. Reproduction même partielle interdite.